

TP and hTP Series: for every requirement, the right technical solution

The new series of shredders named TP and HTP complete the range of Molinari machineries for the recycling market. They are characterized by a strong welded frame which ensures structural rigidity and reliability in time.

The shredding chamber is composed of two parallel and independent rotors, each other with opposite sense of rotation. The shredding of the material is obtained thanks to the action of the rotary blades on the fixed blades, that are positioned on a traverse interposed between the two rotors.

Thanks to their independence, it is possible to move the multi-speed rotors and reversing the direction of rotation to break up any bridges of material.



TP Series:
*specific for rubber, ELTs,
plastic electrical
cables, WEEE*



hTP Series:
*ideal for general
waste, loose or in
bales*

Technical features

- High tick structure
- Strong structure
- Low speed of shredding
- Possibility to reverse the rotation
- Double rotor to avoid the possibility of clogging
- Blades in alloy steel interchangeable and sharpenable
- Rotors with blade-holders made of case-hardened materia
- Central blades adjustable**
- Central traverse hydraulically lowered for maintenance**
- Speed of rotors individually adjustable

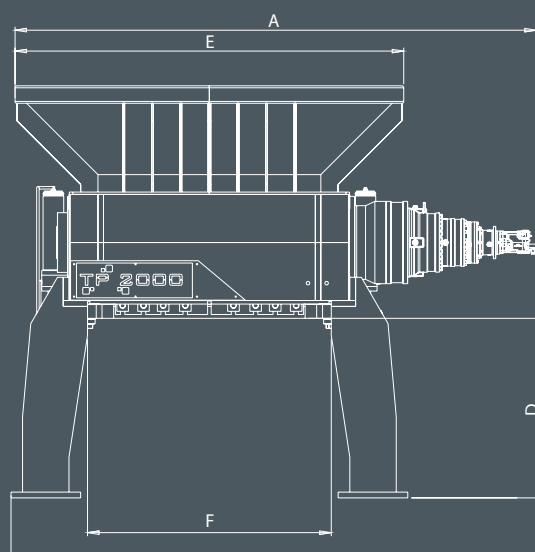
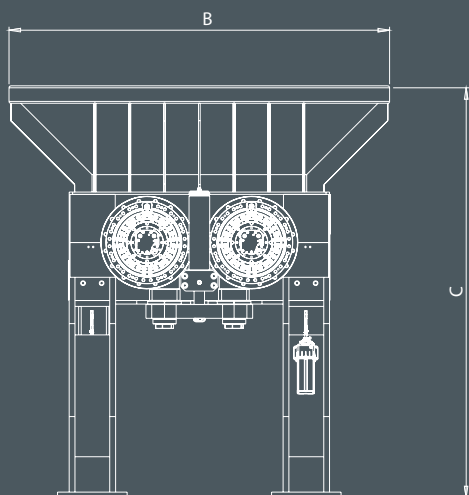
Technical features

- High tick structure
- Strong structure
- Low speed of shredding
- Possibility to reverse the rotation
- Double rotor to avoid the possibility of clogging
- Blades in alloy steel interchangeable and sharpenable
- Rotors with blade-holders made of case-hardened materia
- Release system for the fixed blades in case of bulky hard material**
- Speed of rotors individually adjustable

Technical Features

General features

- Specifically designed for waste
- Low speed
- Two shafts with independent rotation
- Possibility to reverse the rotation
- Blades in alloy steel interchangeable and sharpenable
- Rotors with blade-holders made of case-hardened material
- Adjustable center blades for the Series TP / Mechanical release of the traverse
- Rotors speed individually adjustable



	TP2000	TP2500	TP3500	hTP2500
Length of the rotors (mm)	2000	2500	3500	2500
Diameter of the rotors (mm)	860	860	860	860
Dimensions (AxB) (mm)	5000x3300	6200x3300	7400x3300	6200x3300
In load (C) (mm)	3800	3800	3800	3800
In discharge (D) (mm)	1600	1600	1600	1600
Hopper dimensions (ExB) (mm)	3300x3200	4000x3200	5000x3200	4000x3200
Space for conveyor (F) (mm)	2000	2500	3500	2500
Fixed blades (n°)	10	12	17	12
Rotary blades (n°)	90	110	180	110
Power	Min.150kW Max.360kW	Min.250kW Max.500kW	Min.250kW Max.500kW	Min.180kW Max.500kW
Weight	40 ton	52 ton	65 ton	52 ton

Contacts

Molinari S.r.l.
via dell'Industria, 4
24010 Lenna (Bergamo)
ITALY

tel. +39.0345.31.78.01
fax +39 0345.31.78.27
info@molinari-recycling.com
www.molinari-recycling.com



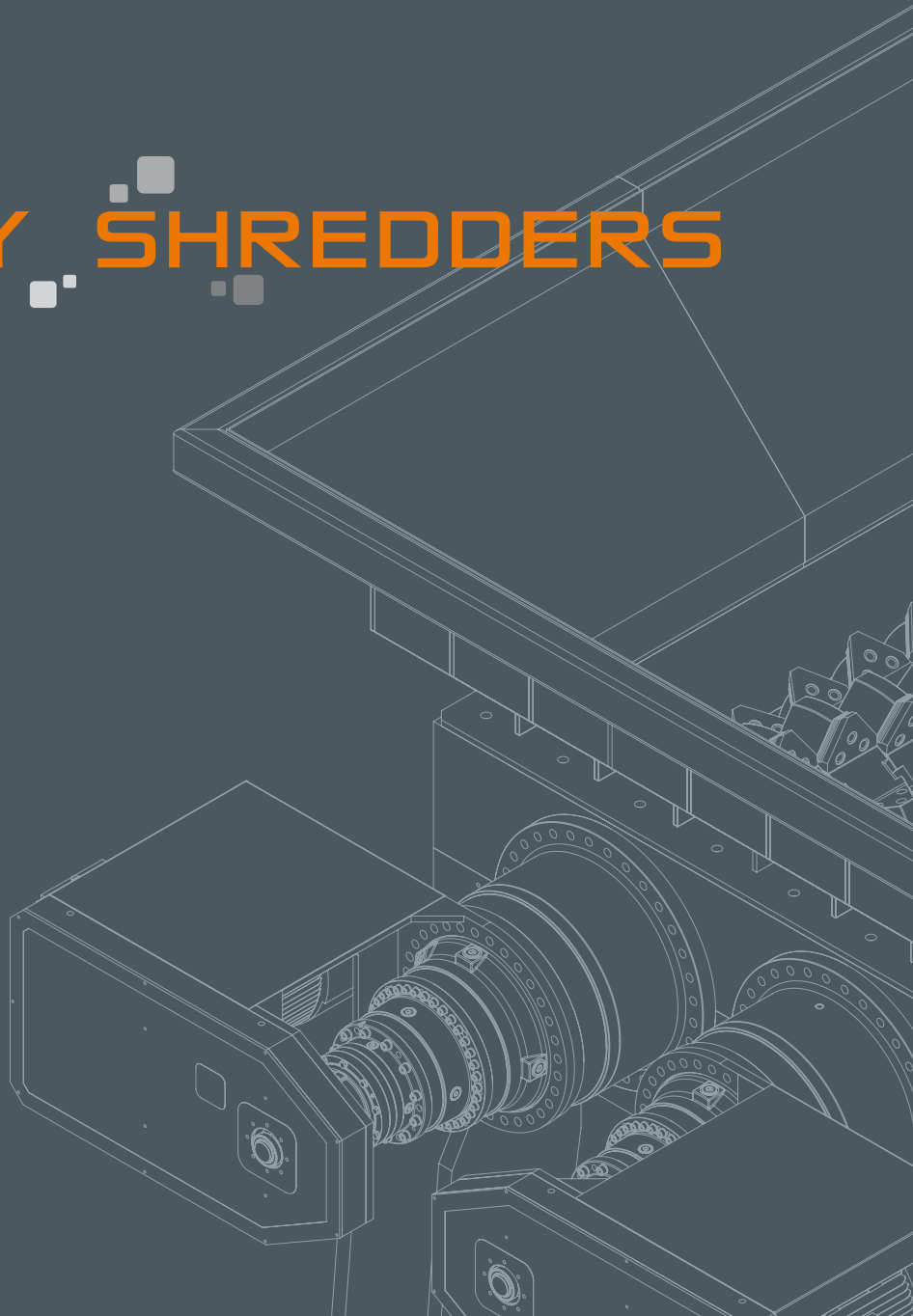
LENNA (BG)





Primary Shredders

PRIMARY SHREDDERS



Primary shredders: TP and hTP Series



TP Series

Strong Points

Excellent performance in terms of energy consumption, production and maintenance.



Rigidity and reliability in time.



Independent rotors with possibility to turn at different speeds and to reverse the rotation.



hTP Series



Traverse with fixed blades

The distance between the rotary and the fixed blades can be adjusted, to obtain always high quality cut.

This feature makes TP2000 the perfect machinery for primary shredding of end life tires for use as alternative fuels.

Real innovation in ELTs shredding

The distinctive feature of the shredder TP is the possibility to adjust the position of the central crossbar, by controlling the distance between the rotating blades and the fixed blades, always guaranteeing the maximum cutting efficiency.

This makes the Molinari TP series a machine very appreciated in the end life tyres recovery.



Traverse Release-System

The central traverse is provided with a hydraulic system that allows a mechanical lowering of the fixed blades, to release any bulky intriturabile material.

For unsorted municipal solid waste

For material such as unsorted municipal waste and similar to urban, the shredder of the 'h' series completes the TP series.

Fixed blades are welded on a mobile central traverse. Fixed blades can be renewed by welding a wear-resistant material.

The central bar is designed to absorb any shock and it is released at presence of bulky intriturabile material. The traverse movement is effected by a hydraulic control unit dedicated.

→
Primary and
Secondary shredder
for SRF production



Applications

The machine is ideal for volume reduction of various material: from end life tyres to electric cables, from WEEE to wooden pallets. It can be used as opener for bales of paper, plastic and rubber.

- > Tyres
- > Bumpers
- > Car bodies
- > WEEE
- > Pallets
- > Paper and plastic bales
- > Bulky products in general



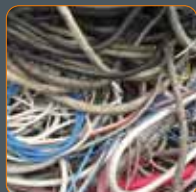
↑ before after ↑

END LIFE TYRES



↑ before after ↑

WEEE

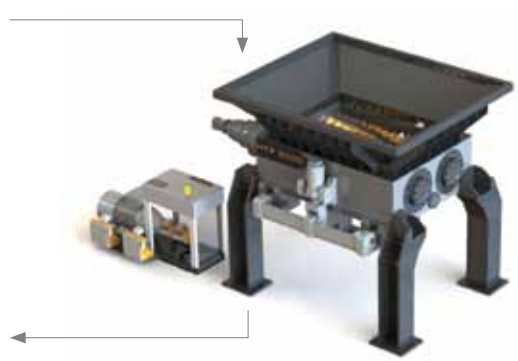


↑ before after ↑

ELECTRICAL CABLES



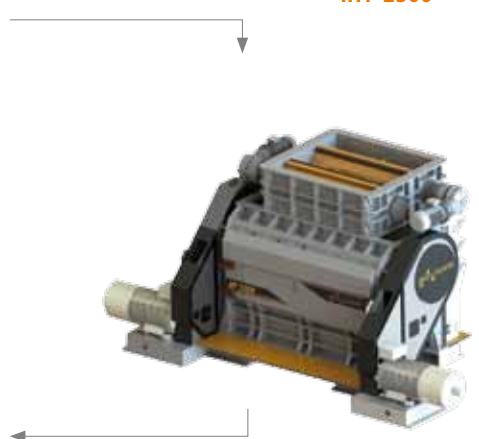
Municipal Solid Waste



hTP 2500



Output hTP2500



MT 3000



Output MT3000

Applications

The machine is ideal for volume reduction of mixed waste. It can be used also as a bag opener:

- > Municipal solid waste
- > Industrial waste
- > Pallets
- > Paper bales
- > Bulky products in general



↑ before after ↑

WASTE